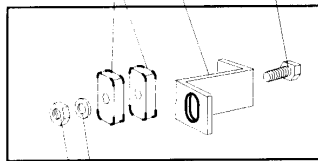


260530  
310212  
161110

← tav. 3

341527

260312  
331835  
411002



260219  
180624  
200497

351310

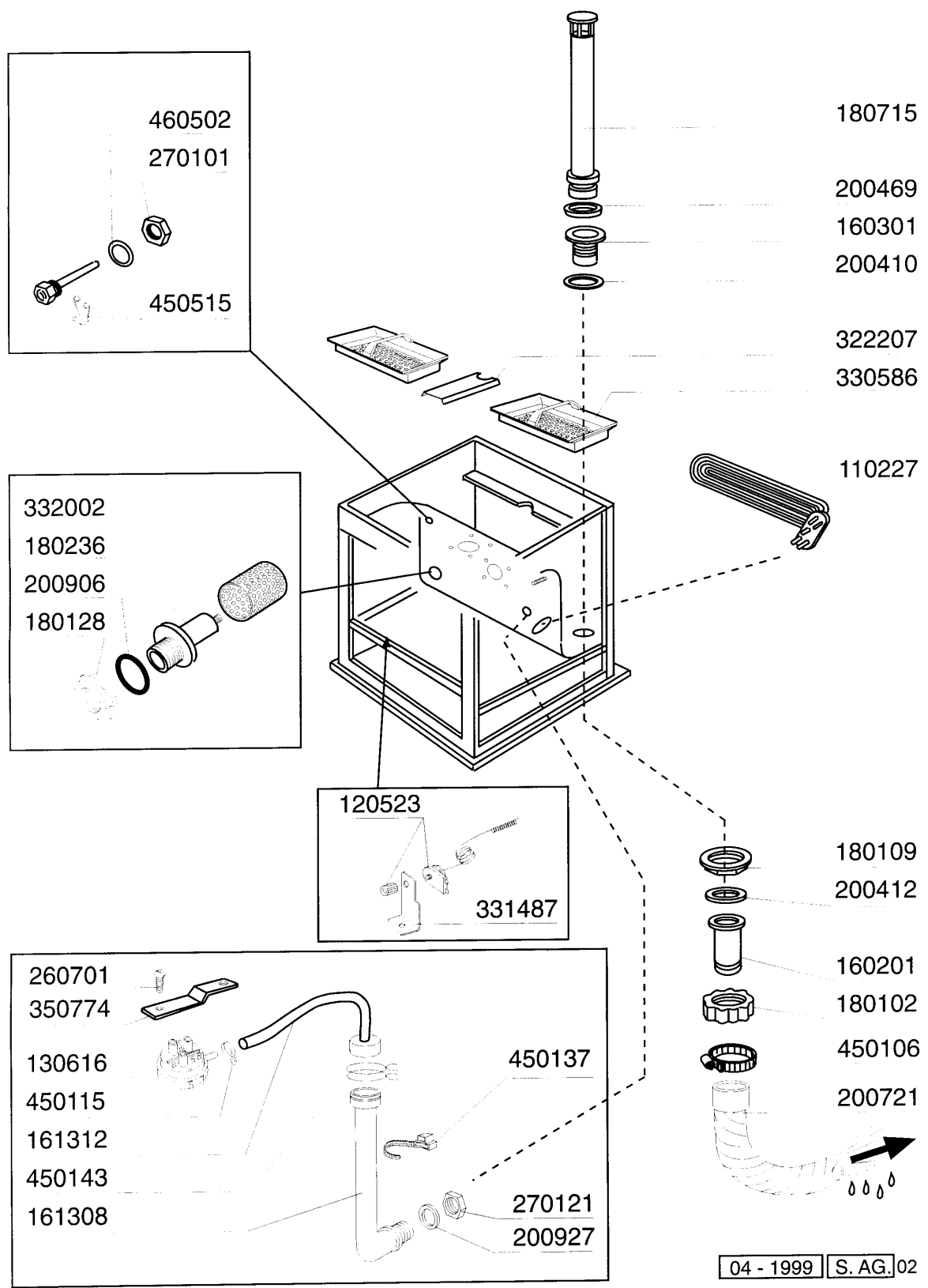
390170  
322117  
321928  
260224

351314

331208

**2 - Hood/Tank**

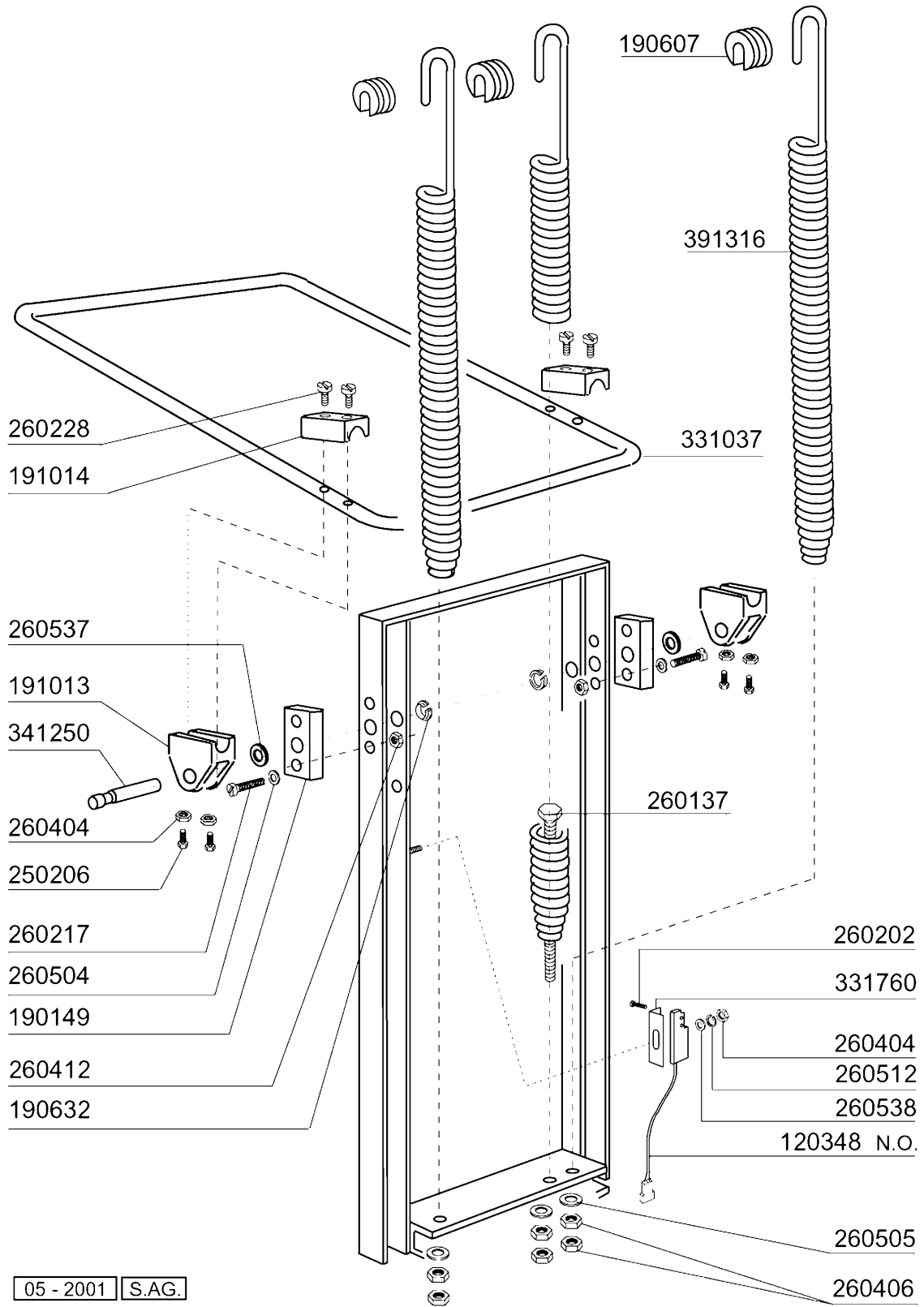
<b>CODE</b>	<b>DESCRIPTION</b>
160811	WASHER F2 18X8.5X1 ALGOF
161110	BACK COVER S90-C85-140
180624	DOOR GUIDE C95-155-C165
190637	GUIDE FOR DOOR "C"
190638	ROLLER FOR "C" DOOR GUIDE
200497	GASKET FOR DOOR GUIDE C85-C140
260113	STAINL.ST.TE SCREW 8X20 A2 UNI
260219	STAINL.ST TCP SCREW 6X35 A2 UN
260224	TB-SCREW 6X15 B23-10-11-12
260312	SCREW TSP 4X16
260418	SELF-LOCKING NUT M4
260502	S/S FLAT WASHER D.4
260530	STAINL.ST WASHER 7X22X2
310212	BLIND NUT M6 BLACK NYLON
321928	PLATE F.GUIDE C140
322117	RACK GUIDE C95-C155
331208	ST.STEEL FOOT
331835	BRACKET F.MAGNET C165
341527	INSULATED HOOD FOR C95-155-165
351310	LEFT PANEL C95-C155
351314	RIGHT PANEL C95-C155
390170	BACK PANEL
411002	PERMANENT MAGNET 24X12



04 - 1999 S. AG. 02

**3 - Tank**

<b>CODE</b>	<b>DESCRIPTION</b>
110227	HEAT. ELEMENT 3000W 230/400V
120523	SAFETY THERMOSTAT 110Ø
130616	PRESSURE SWITCH 190/80 FOR C95
160201	ELBOW F.TANK INLET MOPLN
160301	DRAIN OUTLET 1"1/2 C-S-N
161308	AIR CHAMBER C95-155
161312	HOSE FOR PRESSURE SWITCH C95-1
180102	DRAIN PIPE NUT 1"1/2 F45-55
180109	LOCK NUT 1 1/2"
180128	RING NUT 65,4 C140 C85
180236	PUMP SUCTION FOR AC-ACR-C155
180715	OVERFLOW PIPE C95-C155-C165
200410	DRAIN OUTL.WASH.1 1/2"65X47X2
200412	GASKET DRAIN 11/2" 45X33X3
200469	STAND PIPE O RING 45X35,5X7
200721	DRAIN HOSE 28X35 2MT.
200906	GASKET D.92X66X2
200927	GASKET FOR AIR TRAP
260701	SCREW 3,5X9,5
270101	HEXAGON LOCK NUT 1/2"
270121	NUT FOR AIR TRAP
322207	CENTRAL SUPPORT FOR FILTERS C1
330586	TANK FILTER C95-C155-C165
331487	BRACKET FOR 1 THERMOSTAT
332002	ROUND SUCTION FILTER FOR C95-1
350774	BRACKET
450106	CLAMP FE ZN 32-44 H=12,2
450115	ELASTIC CLAMP D.8,3/7,8
450137	COLLAR CONNECTION WITH BASE 31
450143	CLAMP D.39,7 X 37,7
450515	STAINL.ST.SHIELD FOR 1 THERMOS
460502	GASKET 30X21X2

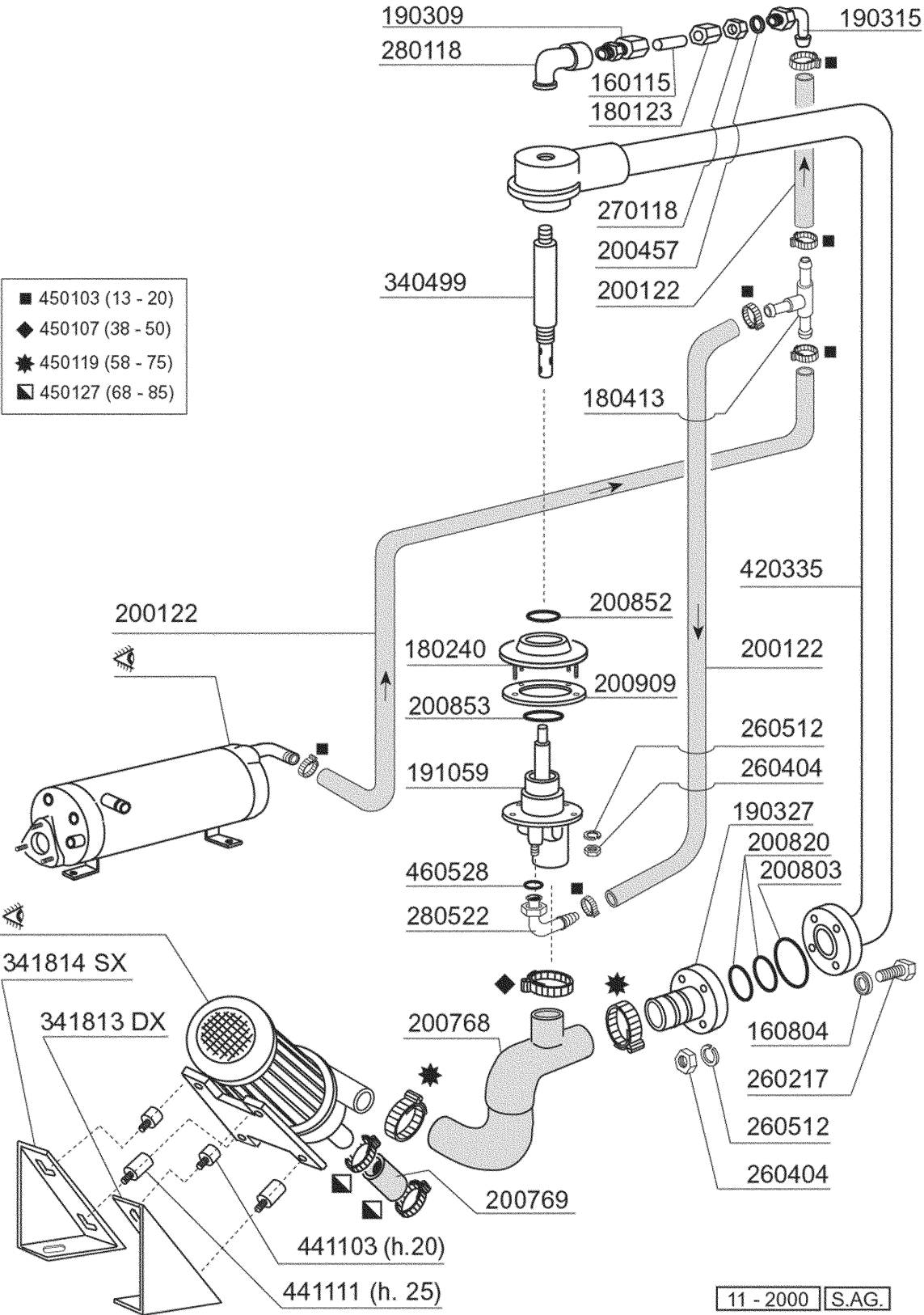


05 - 2001 S.A.G.

4 - Handle

CODE	DESCRIPTION
120348	MAGN.SWITCH (N.O.)
190149	REINFORCEMENT FOR HANDLE SUPP.
190607	HANDLE BUSH C30-70
190632	"NYLINER" BUSH
191013	HINGE F. SUPPORT C30-C70
191014	FLANGE F. HANDLE C30-70
250206	GRUB SCREW D.6
260137	SCREW TE 8X100
260202	SCREW TCP 3X16
260217	SCREW TCP 6X25
260228	STAINL.ST SPECIAL SCREW 6X42 3
260404	STAINLESS STEEL NUTS D6 UNI 55
260406	NUT 8MA
260412	SELF-LOCKING NUT M6
260504	ST/ST FLAT WASHER D6
260505	STAINL.STEEL FLAT WASHER D8
260512	ST/ST GROWER WASHER D6
260537	STAINL.STEEL FLAT WASHER D13X2
260538	WASHER 18X6X1,5 ST/ST
331037	HANDLE C95-155-165 ISOLATED
331760	BRACKET
341250	HANDLE PIN C85 C140
391316	SPRING FOR HANDLE C85/140-G75

- 450103 (13 - 20)
- ◆ 450107 (38 - 50)
- ★ 450119 (58 - 75)
- ◼ 450127 (68 - 85)

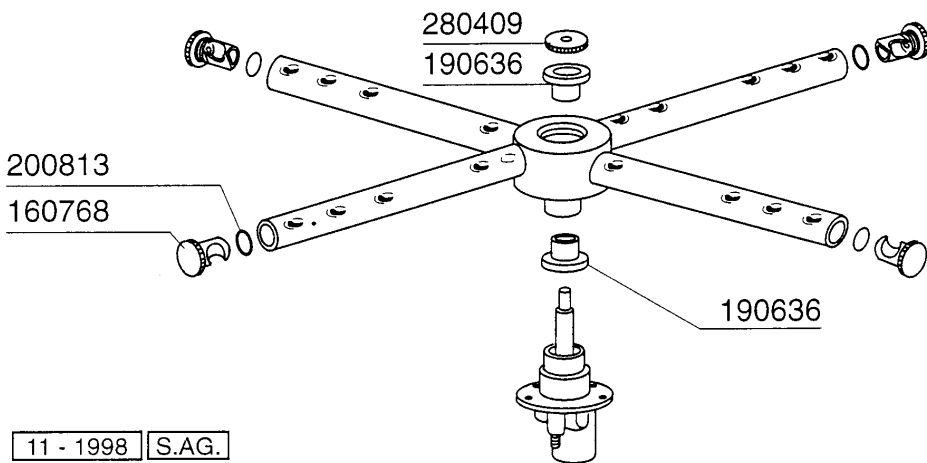
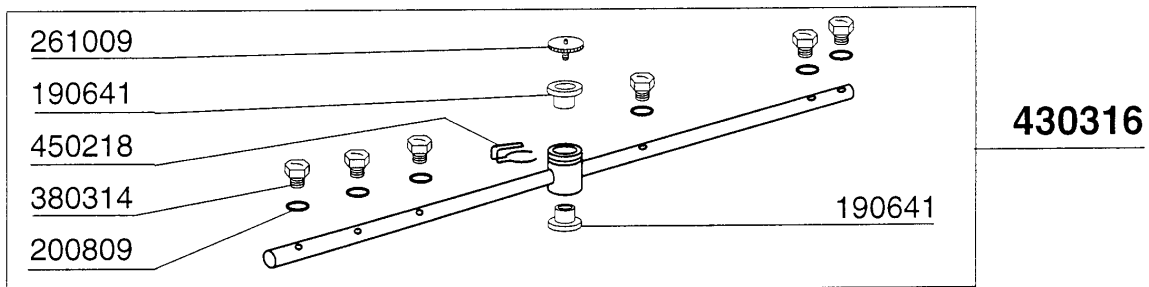
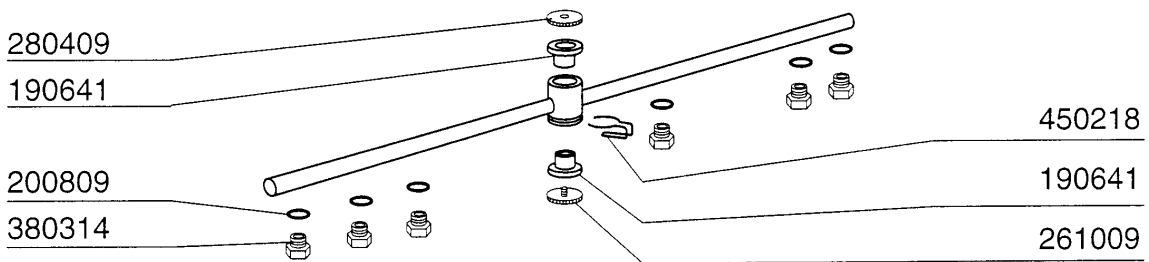
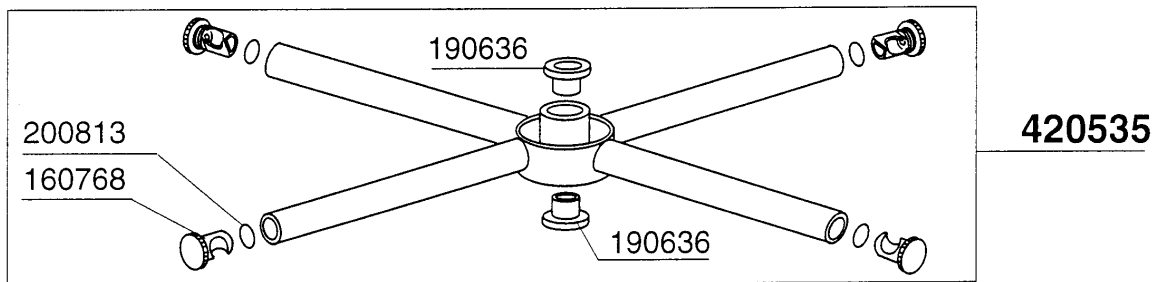
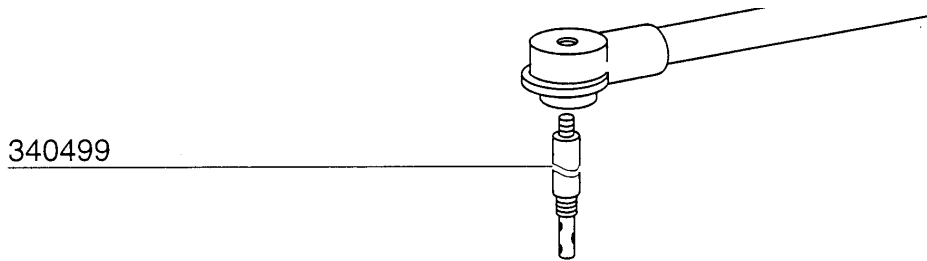


11 - 2000 S.A.G.

5 - Wash/Rinse column

CODE	DESCRIPTION
160115	PL.TUBE.D.9.5 B41 (3/8) C30-
160804	GASKET D.6
180123	CONNECTION NUT / RINSE 5/8 C30
180240	FLANGE FOR PIPE ASSY. C95-C155
180413	TEE NIPPLE D.11,5 - RINSE ASSE
190309	CONNECTION STRAIGHT 3/8"B41C30
190315	ELL RINSE C30-70
190327	INLET FLANGE C95-C155-C165
191059	LOWER WASH ARM SUPPORT C95-155
200122	HOSE 11X19
200457	GASKET D.24X16X3 NEOPRENE
200768	DELIVERY HOSE "3 WAYS" C95-C15
200769	OUTLET HOSE C95-C155-C165
200803	OR GASKET 3,53X98,02X105,08
200820	O-RING151 46,99X5,33X57,6
200852	O-RING D.58,42X63,66X2,62
200853	O-RING D.63,5X70,56X3,53
200909	GASKET F.LOWER WASH ARM SUPP.C
260217	SCREW TCP 6X25
260404	STAINLESS STEEL NUTS D6 UNI 55
260512	ST/ST GROWER WASHER D6
270118	NUTS FOR ELBOW 5/8 C30-70
280118	ELL FF 3/8" - 1/4" C140-155
280522	NIPPLE FOR RINSE HOSE C95-C155
340499	SPINDLE CENTR. CROSS C34
341813	PUMP SUPPORT C95/155/165
341814	PUMP SUPPORT C95/155/165
420335	WASH COLUMN C95-C155-C165
441103	PUMP FEET
441111	PUMP FEET 25X25XM6
450103	CLAMP FE ZN. 13-20 H=9
450107	CLAMP FE ZN 38-50 H=12,2
450119	CLAMP FE ZN. 58-75 H=12,2
450127	CLAMP FE ZN. 68-85 H=12,2
460528	GASKET 15X10X2 FOR RINSE NIPPE

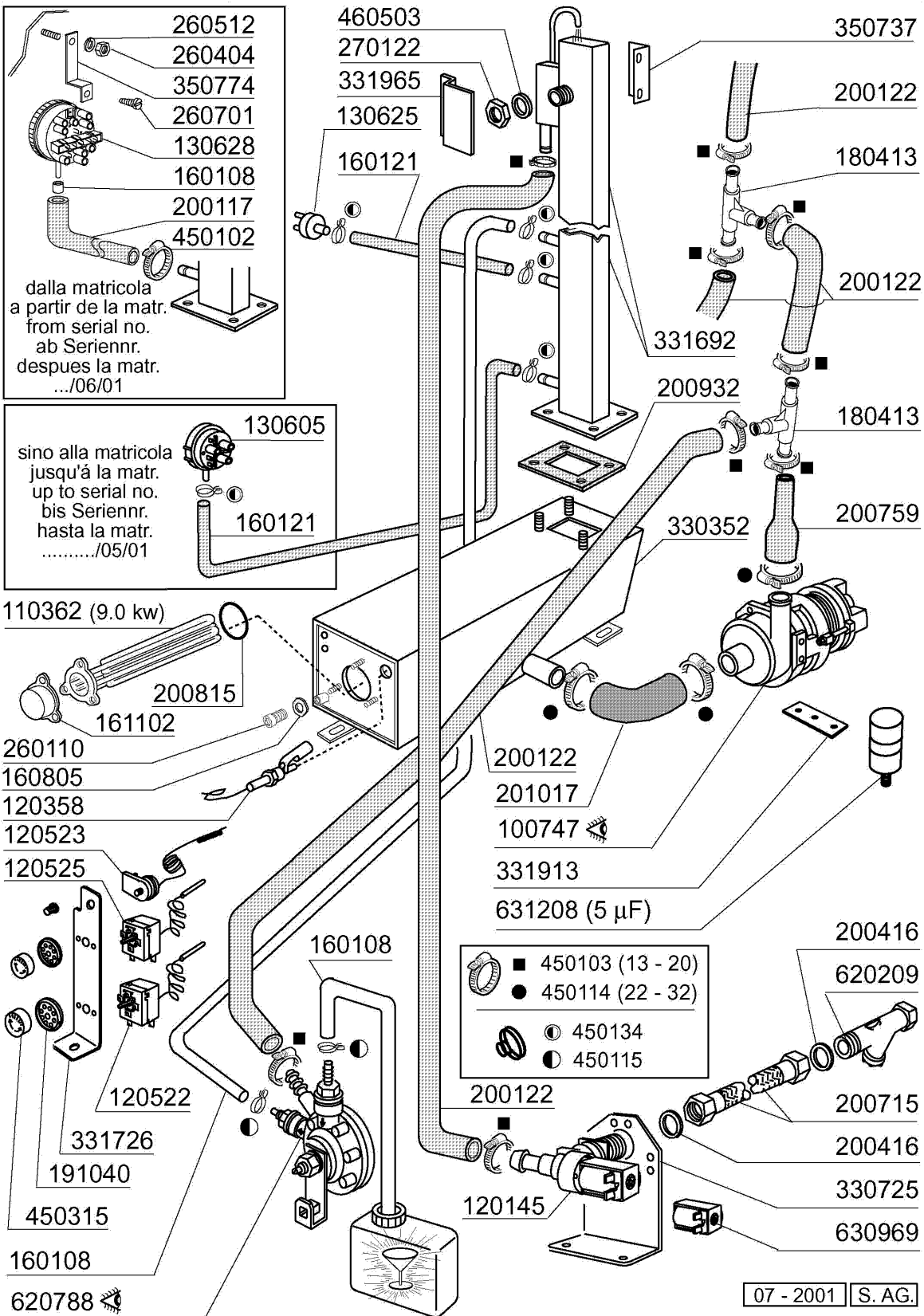




11 - 1998 S.A.G.

**6 - Wash arm**

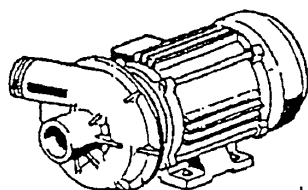
<b>CODE</b>	<b>DESCRIPTION</b>
160768	PLUG FOR "C95-155" WASH ARM
190636	BUSH FOR C95-155-165 WASH ARM
190641	BUSH FOR C95-155-165 RINSE ARM
200809	OR GASKET 1,78X8,73X12,29
200813	OR GASKET 2,21X16,36X20,78
261009	RETAIN.SCREW FOR WASH-RINSE AR
280409	RETAIN.LOCK NUT CENTR.CROSS C1
340499	SPINDLE CENTR. CROSS C34
380314	RINSE JETS 801/HR
420535	WASH ARM C1300-C155
430316	RINSE ARM FOR C95-C155-C165
450218	SPRING F.RINSE ARM RETAIN.SCRE



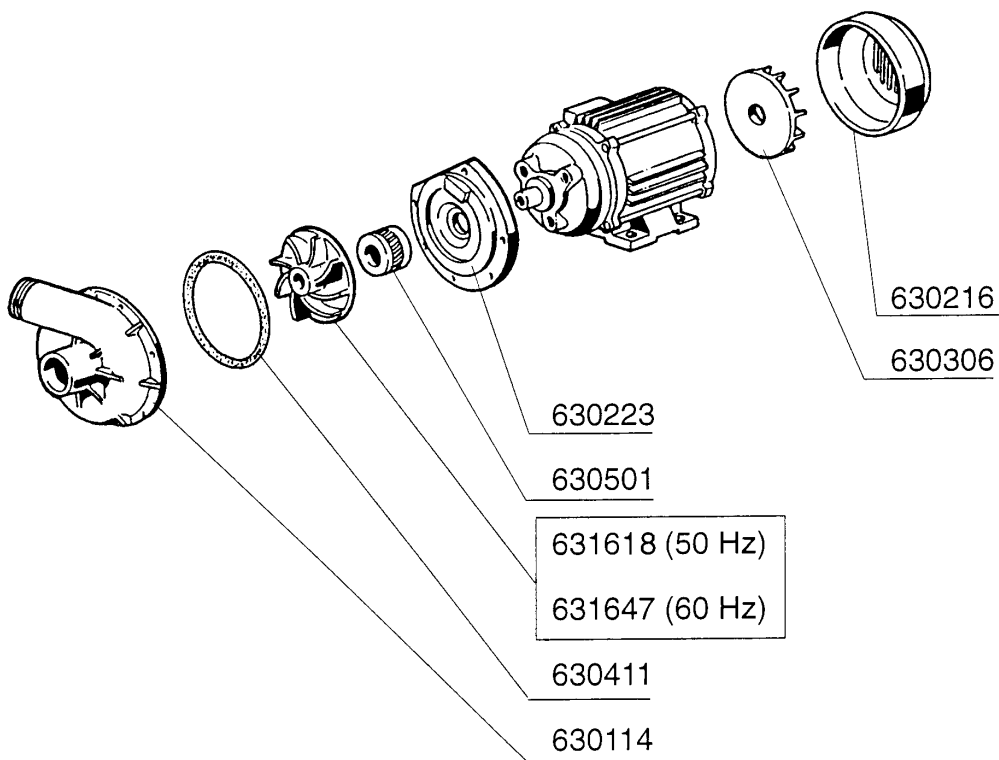
## 7 - Rinse

CODE	DESCRIPTION
100747	PUMP KW 0,073 220/240-50 4208
110362	HEAT.ELEMENT 9000W 220/380V
120145	SOLENOID VALVE 12 LT 1 WAY
120358	FLOATING MAGN.SWITCH
120522	TANK THERMOSTAT 90Ø
120523	SAFETY THERMOSTAT 110Ø
120525	BOOSTER THERMOSTAT 2 TEMPERAT.
130605	PRESSURE SWITCH 50-30 1 LEVEL
130625	PRESSURE SWITCH
130628	PRESSURE SWITCH
160108	INJECT.INLET HOSE D.8X5
160121	HOSE EPDM D. 5 X 9
160805	GASKET D.8
161102	ELEMENT COVER MOPL.
180413	TEE NIPPLE D.11,5 - RINSE ASSE
191040	FRAME F.THERMOSTAT KNOB
200117	RUBBER HOSE 7X16
200122	HOSE 11X19
200416	GASKET D. 3/4"
200715	HOSE WATER INLET 2M STAINL.ST
200759	DELIVERY HOSE FOR ECORINSE AC-
200815	O-RING F. HEAT.ELEM.
200932	BOILER GASKET
201017	RINSE PUMP INLET HOSE LF/FC BT
260110	SCREW TE 8X10
260404	STAINLESS STEEL NUTS D6 UNI 55
260512	ST/ST GROWER WASHER D6
260701	SCREW 3,5X9,5
270122	NUTS D.3/4" FOR BREAK TANK
330352	BOILER FOR BREAK TANK
330725	STANDARD BRACKET F.SOLEN.VALV
331692	BREAK TANK "C-LC"
331726	BRACKET FOR 3 THERMOSTATS
331913	BRACKET
331965	BRACKET
350737	BRACKET FOR CLOSED THERMOSTATS
350774	BRACKET
450102	CLAMP FE ZN 11-17 H=9
450103	CLAMP FE ZN. 13-20 H=9
450114	CLAMP FE ZN.22-32 H=12,2
450115	ELASTIC CLAMP D.8,3/7,8
450134	ELASTIC HOSE CLIP D.9,3/8,8
450315	KNOB F. THERMOSTAT 90Ø
460503	SEALING WASHER 38X27X2(3/4)
620209	INLET WATER FILTER
620788	RINSE AID INJECTOR H21428
630969	COIL S4216 220/50HZ
631208	CONDENSER 5MF.450V

100716	220 - 240 - 380 - 415/3	50 Hz
100724	220 - 240 - 380 - 415/3	60 Hz
100726	220 - 240/1	50 Hz
100725	220 - 240/1	60 Hz

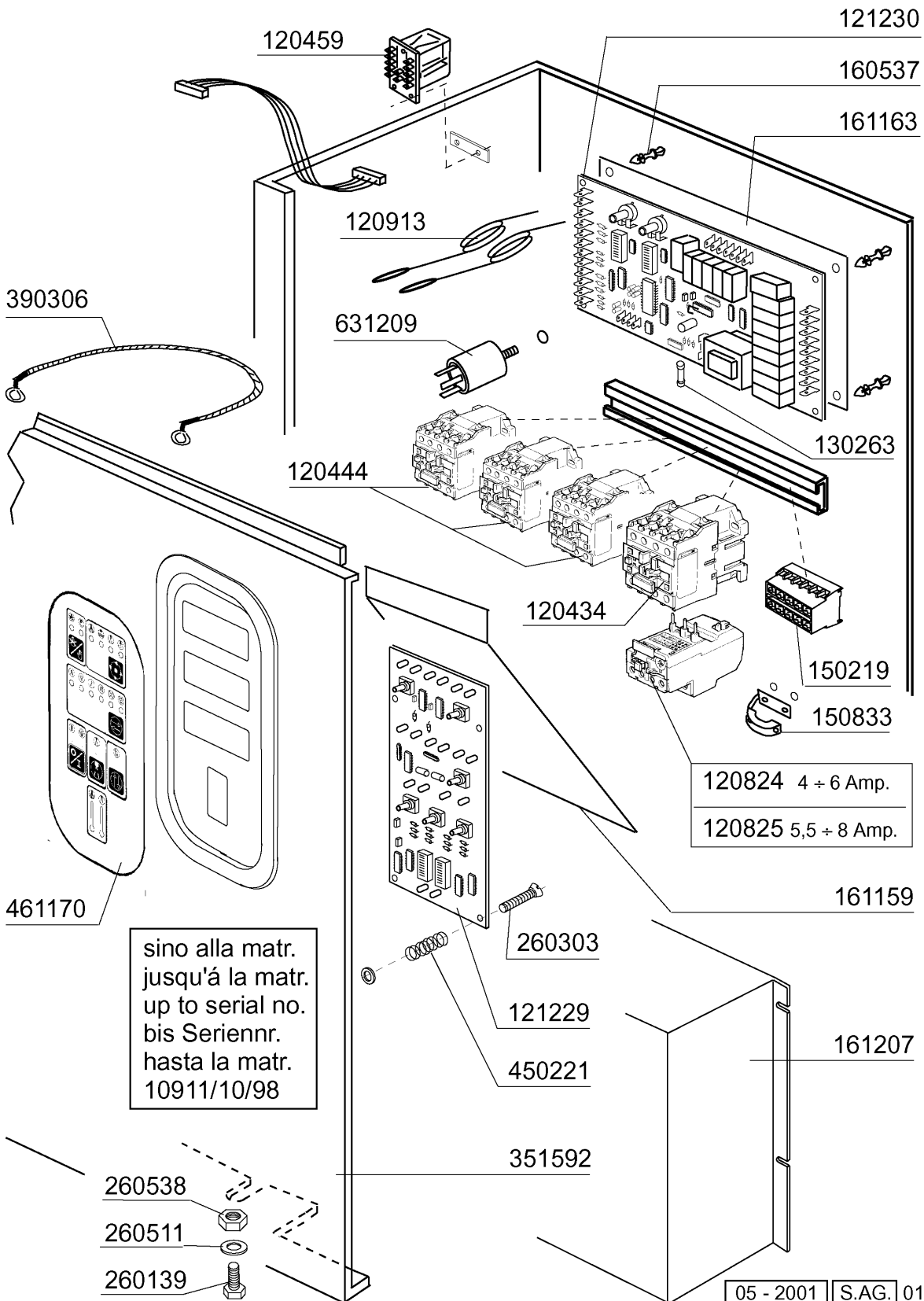


HP 2 - Kw 1,5 (1204)



**8 - Pump**

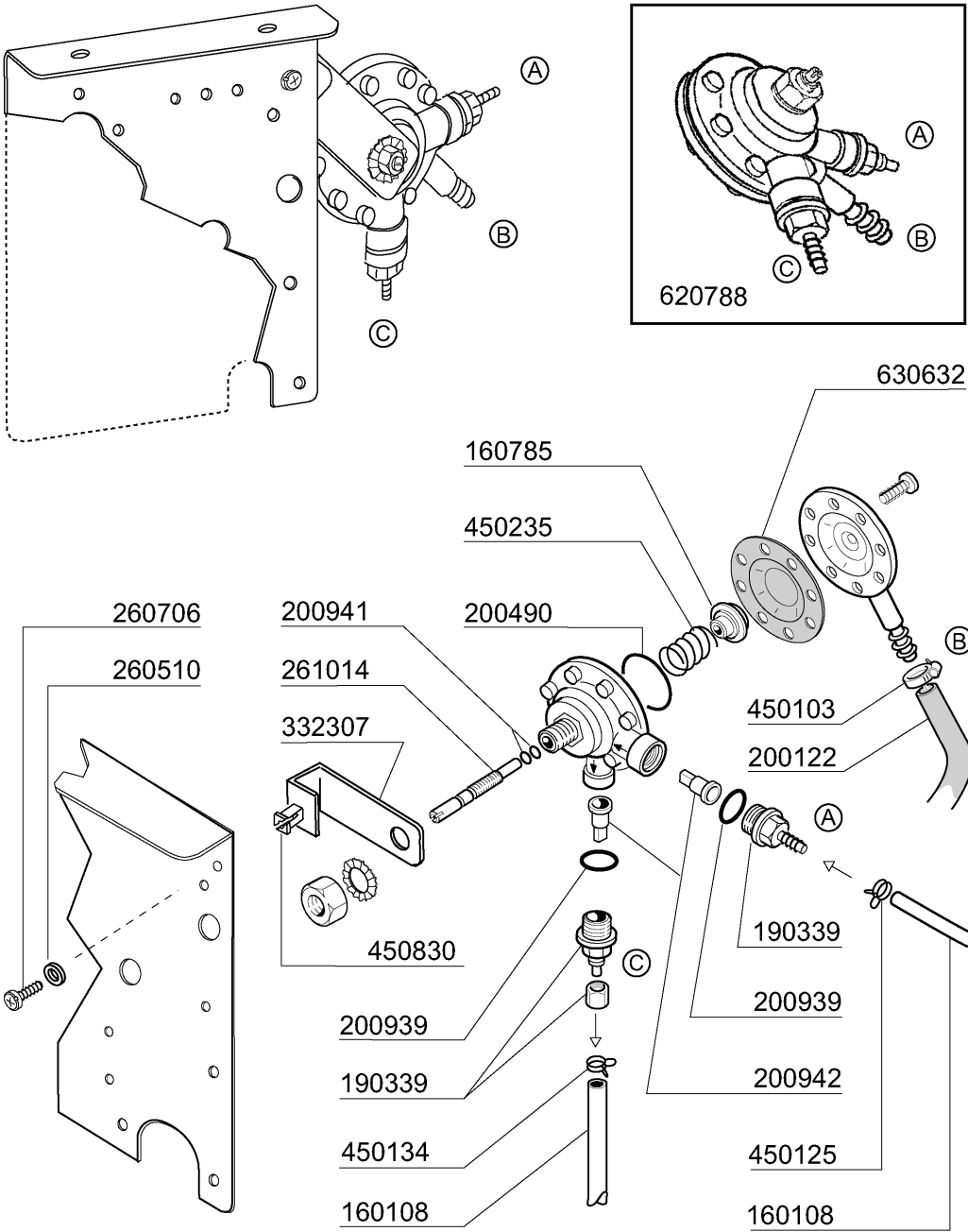
<b>CODE</b>	<b>DESCRIPTION</b>
100716	PUMP 2HP 220/3-415/50-1204
100724	PUMP 2HP 230/400 60HZ 1204
100725	PUMP 2HP 230/1 60HZ 1204
100726	PUMP 2HP 220-240/1 50HZ 1204
630114	VOLUTE FI HP2-2,7-3-3,2
630216	FAN HOUSING FIR HP 2-3
630223	BACK PLATE PUMP HP2-3-3,2
630306	PUMP FAN IMPELLOR FI HP 2-3
630411	O-RING PUMP FI HP 2-2,7
630501	SEAL FOR PUMP HP 2-3-3,2
631618	IMPELLER PUMP F HP2-D.116,5
631647	IMPELLER D.100-60HZ-1204/5



**9 - Control Box**

<b>CODE</b>	<b>DESCRIPTION</b>
120434	CONTACTOR 9A 220V 50HZ
120444	CONTACTOR 9A 220V 50HZ
120459	AUXIL.RELE 16A 220V
120824	OVERLOAD RELAY 4/6 A
120825	OVERLOAD RELAY 5,5/8 A
120913	PROBE FOR FC+C PCB
121229	ELECTRONIC CONTROL PANEL "C"
121230	ELECTRONIC PANEL C166
130263	FUSE 5X20 T400MA
150219	TERMINAL BLOCK 5P MMQ165VD26
150833	CABLE HOLDER BC/BR
160537	ELECTRONIC CARD SPACER
161159	PROTECT. COMMANDS SWITCHBOARD
161163	PROTECT.COMMANDS SWITCHBOARD C
161207	CONTROL BOX COVER FOR C95-155
260139	SCREW TE 5X16
260303	SCREW TSP 3X10
260511	GROWER WASHER D.5
260538	WASHER 18X6X1,5 ST/ST
351592	FRONT PANEL C166
390306	CABLE
450221	SPRING FOR ELECTRONIC TIMER
461170	PLATE C166
631209	ANTI-NOISE FILTER





07/2008 M.SA

**10 - Rinse aid injector**

<b>CODE</b>	<b>DESCRIPTION</b>
160108	INJECT.INLET HOSE D.8X5
160785	GUIDE FOR SPRING RINSE AID INJ
190339	RINSE AID INJECTOR CONNECTION
200122	HOSE 11X19
200490	PROTECTION GASKET MOD.ADV.
200939	OR GASKET
200941	OR GASKET
200942	VALVE RINSE INJECTOR HVD
260510	GROWER WASHER D.4
260706	SCREW 3,9X13 S/S
261014	SCREW
332307	BRACKET
450103	CLAMP FE ZN. 13-20 H=9
450125	ELASTIC CLAMP D. 10,4X9,8
450134	ELASTIC HOSE CLIP D.9,3/8,8
450235	SPRING RINSE AID INJECTOR
450830	SCREW
620788	RINSE AID INJECTOR H21428
630632	DIAPHRAGM RINSE INJECTOR HVD